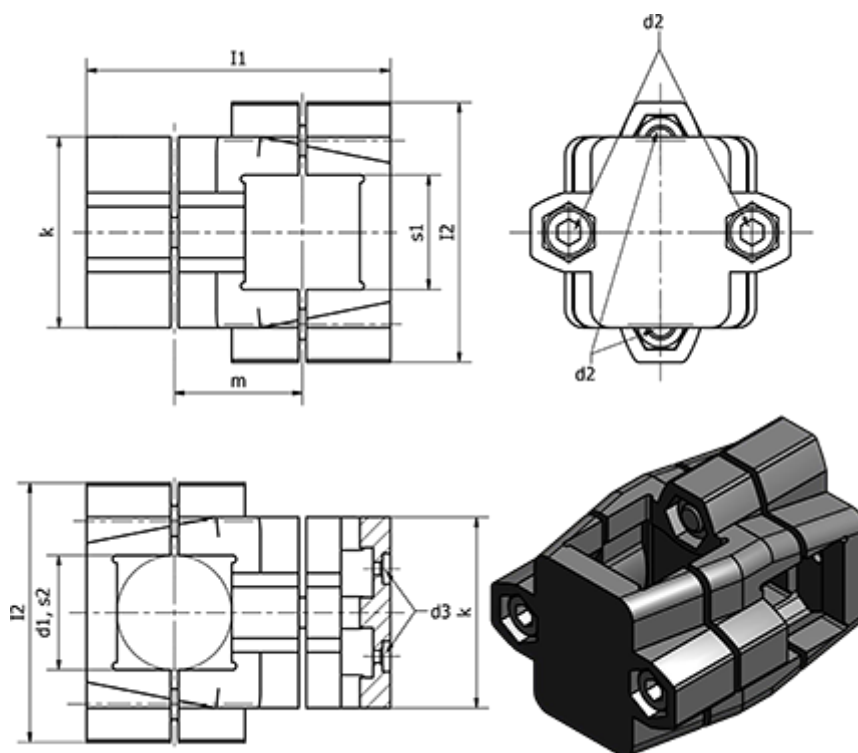


Article number: 201341V30V302SW

Description: E+G Tube connector - GN 134.1-V30-V30-2-SW

Measures



Clamping kit for d2 = -	m	= 33.5
Clamping kit for d2 = GN 911-M8-32	s1	= V30
d1 = -	s2	= V30
d2 = M8	Weight (g)	= 300
d3 = M4		
l1 = 79.5		
l2 = 68		
k = 50		